

## How to Measure Guide

4/151 Newcastle St

Fyshwick ACT 2690

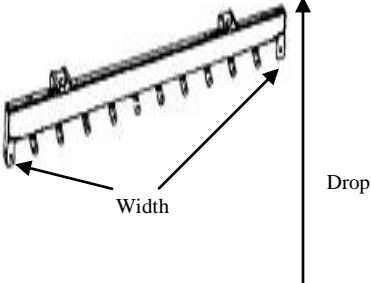
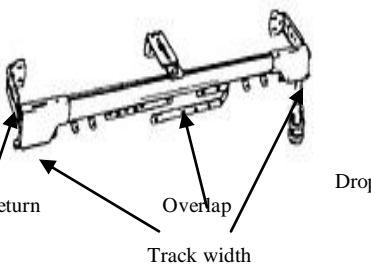
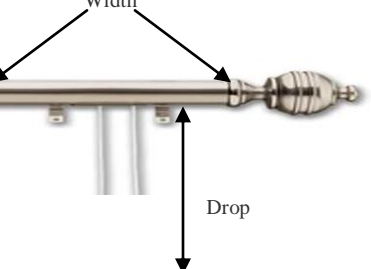
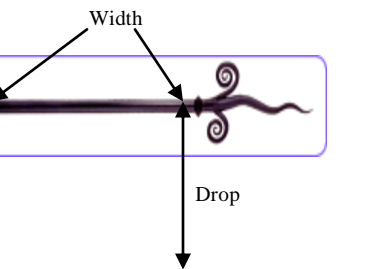
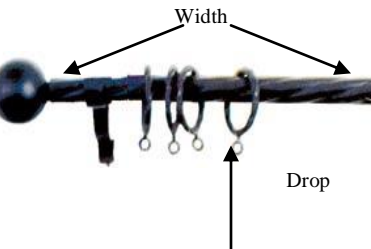
Phone: (02) 6162 0415

Fax: (02) 6162 0417

Email: [info@curtainandblindcreations.com.au](mailto:info@curtainandblindcreations.com.au)

[www.curtainandblindcreations.com.au](http://www.curtainandblindcreations.com.au)

## How to Measure

<p>My track looks like this <input type="checkbox"/></p> <p>Suitable for Pinch &amp; Pencil Pleat curtains</p> <p>.....wide x .....drop</p> <p>.....wide x .....drop</p> <p>.....wide x .....drop</p>		<p><b>Width</b> Measure width from one end of track to the opposite end.</p> <p><b>Drop</b> Measure from the top of the track to the desired finished length just of the floor.</p>
<p>My track looks like this <input type="checkbox"/></p> <p>Suitable for Pinch &amp; Pencil Pleat curtains</p> <p>.....wide x .....drop</p> <p>.....wide x .....drop</p> <p>.....wide x .....drop</p>		<p><b>Width</b> Measure width from one end of track to the opposite end. Add for returns and centre overlap.</p> <p><b>Drop</b> Measure from the top of the track to the desired finished length just of the floor.</p>
<p>My rod looks like this <input type="checkbox"/></p> <p>Suitable for Pinch, Pencil &amp; Inverted Pleat curtains</p> <p>.....wide x .....drop</p> <p>.....wide x .....drop</p> <p>.....wide x .....drop</p>		<p><b>Width</b> Measure width from one end of rod to the opposite end, not including finials</p> <p><b>Drop</b> Measure from just under the rod to the desired finished length just of the floor.</p>
<p>My rod looks like this <input type="checkbox"/></p> <p>Suitable for Tabs &amp; Concealed Tabs curtains</p> <p>.....wide x .....drop</p> <p>.....wide x .....drop</p> <p>.....wide x .....drop</p>		<p><b>Width</b> Measure width from one end of rod to the opposite end, not including finials</p> <p><b>Drop</b> Measure from the top of the rod to the desired finished length just of the floor.</p>
<p>My rod looks like this <input type="checkbox"/></p> <p>Suitable for Pinch, Pencil &amp; Inverted Pleat curtains</p> <p>.....wide x .....drop</p> <p>.....wide x .....drop</p> <p>.....wide x .....drop</p>		<p><b>Width</b> Measure width from one end of rod to the opposite end, not including finials</p> <p><b>Drop</b> Measure from under the large ring to the desired finished length just of the floor.</p>